

GT11 Series Laser distance sensors

GT11 Series Laser distance sensors

GT11 series

- Different measurement ranges from 10 to 100 mm
- Measurement frequency depending from surface up to 30.000 Hz
- Excellent resolution and linearity
- Laser protection class 2 or 3R
- Robust metal-sensor-heads
- 2 adjustable switching outputs and analogue output for reflected light

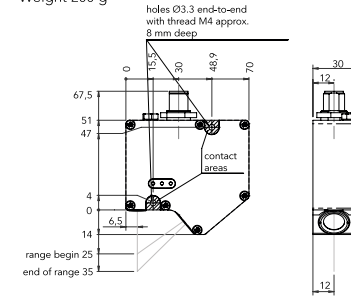


Laser distance sensors in the GT11 series have been designed to permit measurements to even be carried out on such difficult surfaces as wafers, chrome and black rubber. The sensors deliver very high accuracies of 2.5 µm even at relatively large measuring ranges. With a measuring frequency of 5,000 Hz, the GT11 series is very fast and permits comfortable remote maintenance thanks to its Ethernet port. The electronic components are located in an external controller.

	GT11 -010	GT11 -020	GT11 -040	GT11 -050	GT11 -100
Range	10 mm	20 mm	40 mm	50 mm	100 mm
Measurement range	25 mm	40 mm	30 mm	55 mm	90 mm
Linearity errors ±	0,005 mm	0,01 mm	0,02 mm	0,025 mm	0,05 mm
Resolution	0,0005 mm	0,001 mm	0,002 mm	0,0025 mm	0,005 mm
∅ Lightpoint	0,8 mm	0,9 mm	0,4 mm	1 mm	1,1 mm
General data					
Laser protection class	2 or 3R, laser power adjustable up to 5 mW via Software				
Light source	Laser, wave length 658 nm, red visible				
Sample rate	up to 30 kHz (adjustable)				
Impedance	approx. 0 Ω (10 mA max.)				
Frequency	30 kHz (-3 db)				
Temperature drift	0.01% of range / K				
Interface	Ethernet 10/100 Mbit				
Ambient light	20,000 Lux				
Operating time	50,000 h for laser diode				
Isolation voltage	200 V DC, 0 V against casing				
max. Vibration	5 g up to 1 kHz				
Operating temperature	0° ~ +40°C				
Storage temperature	-20° ~ +70°C				
Humidity	up to 90% RH, non condensing				
Protection class	IP 64				
Supply	+24 V DC / 280 mA (10 ~ 30 V)				
Connection type	M12 8pin				
Weight	200 g	220 g	260 g	230 g	240 g

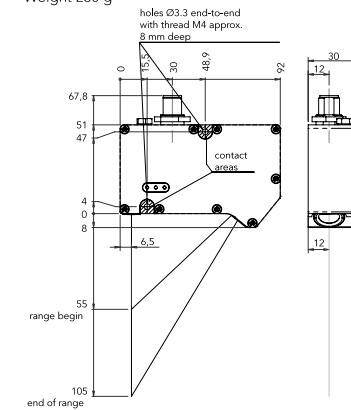
GT11 10

Weight 200 g



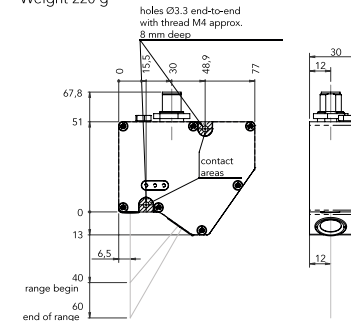
GT11 50

Weight 230 g



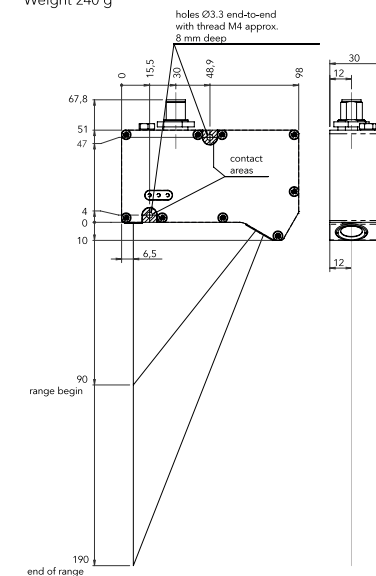
GT11 20

Weight 220 g



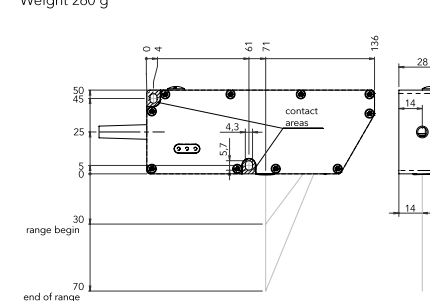
GT11 100

Weight 240 g



GT11 40

Weight 260 g



Casati technologies Inc.

www.casatitech.com info@casatitech.com

Tel: 021 6407 2639 • Fax: 021 6407 2613

Casati is using a ISO 9001:2008 certified quality management system • All specifications are subject to change